

Kawaden CCTV LENS

KVM10120M

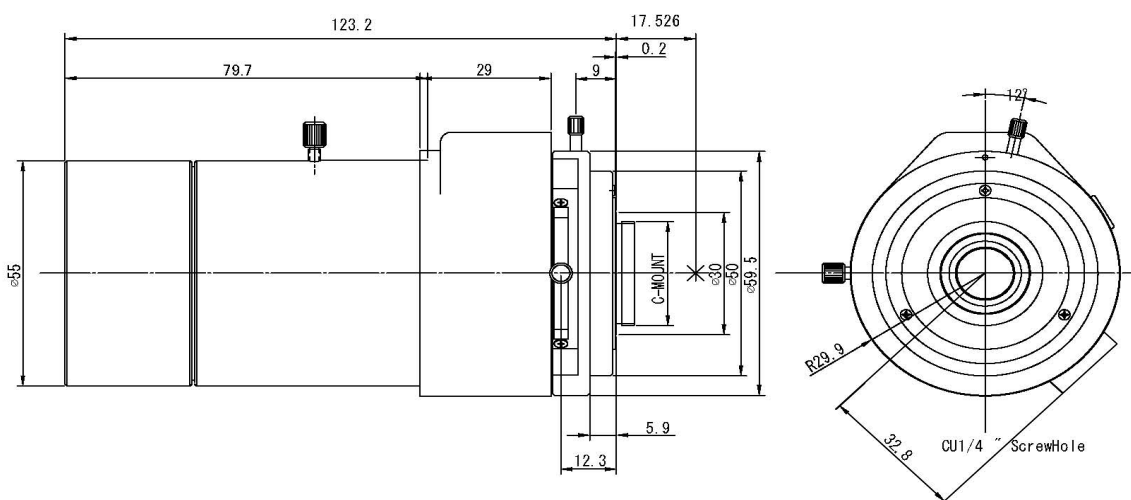
10-120mm - Megapixel - Manual Iris
with reliable performance

1.3 Megapixel

10-120mm F1.6-360 Varifocal Lens

Manual Iris C mount for 1/2" & 1/3"

ED glass



Specifications

Model No.	KVM10120M	Flange Back Length	17.526mm	
Focal Length	10-120mm	M.O.D.	1.5M	
Max. Aperture Ratio	1:1.6 - Close	Mount	C mount	
Image Format	1/2" & 1/3"	Dimensions	Φ55.0mm x 64.3mm x 123.2mm	
Operation	Iris	Manual	Weight	370g
	Focus	Manual	Operating Temperature	-10°C - +50°C
	Zoom	Manual		
Angle of View (1/2")	D	42.6° - 3.9°		
	H	34.7° - 3.1°		
	V	26.4° - 2.3°		
Angle of View (1/3")	D	32.6° - 2.9°		
	H	26.4° - 4.6°		
	V	19.9° - 1.8°		

Specifications are subject to change without notice

Kawaden Co., Ltd.